

# Brake Calipers EV 024 FEM and EH 024 FEM

spring activated – electromagnetically released



Features	Code
Brake Caliper with electromagnet	E
Mounting to the machine parallel or at right angles to the brake disc	V H
Frame size 024	024
Spring activated	F
Electromagnetically released	E
Manual adjustment to accommodate friction block wear	M
Supply voltage 220 to 240 VAC	240
Supply voltage 380 to 480 VAC	480
Electromagnet mounted in central position	M
Thickness of brake disc 10 ... 16 mm or 18 ... 26 mm	12 25

### Example for ordering

Brake Caliper EV 024 FEM, supply voltage 400 VAC, electromagnet mounted in central position, thickness of brake disc 15 mm:

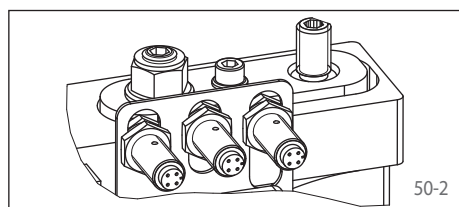
EV 024 FEM - 480 M - 12

### Advantages

The brake caliper EV 024 FEM or EH 024 FEM is a very compact and high efficient disc brake with very low power consumption. Its floating bearing compensates small misalignments of the brake disc. The attached electronic reduces the power consumption in open position automatically.

### Options

- Available with cCSAus approval
- Inductive proximity switch: "Brake released", "Brake closed"-status and/or "Friction block wear adjustment necessary"



### Technical Data

	Brake Calipers EV 024 FEM and EH 024 FEM with supply voltage	
	220 to 240 VAC	380 to 480 VAC
Brake disc diameter	Braking torque	Braking torque
mm	Nm	Nm
250	400	
300	500	
355	610	
430	760	
520	940	
630	1 160	
Clamping force	5000 N	
Clamping force or braking torque adjustable	50 - 100%	
Power consumption in open position	20 W	20 W (100% duty factor)
Fuse rating	10 A, Type "B"	
Max. number of actuation	360/h permanent activations at 20° C ambient temperature	
Actuation frequency*	at least 8 seconds between 2 activations	
Weight	13 kg	

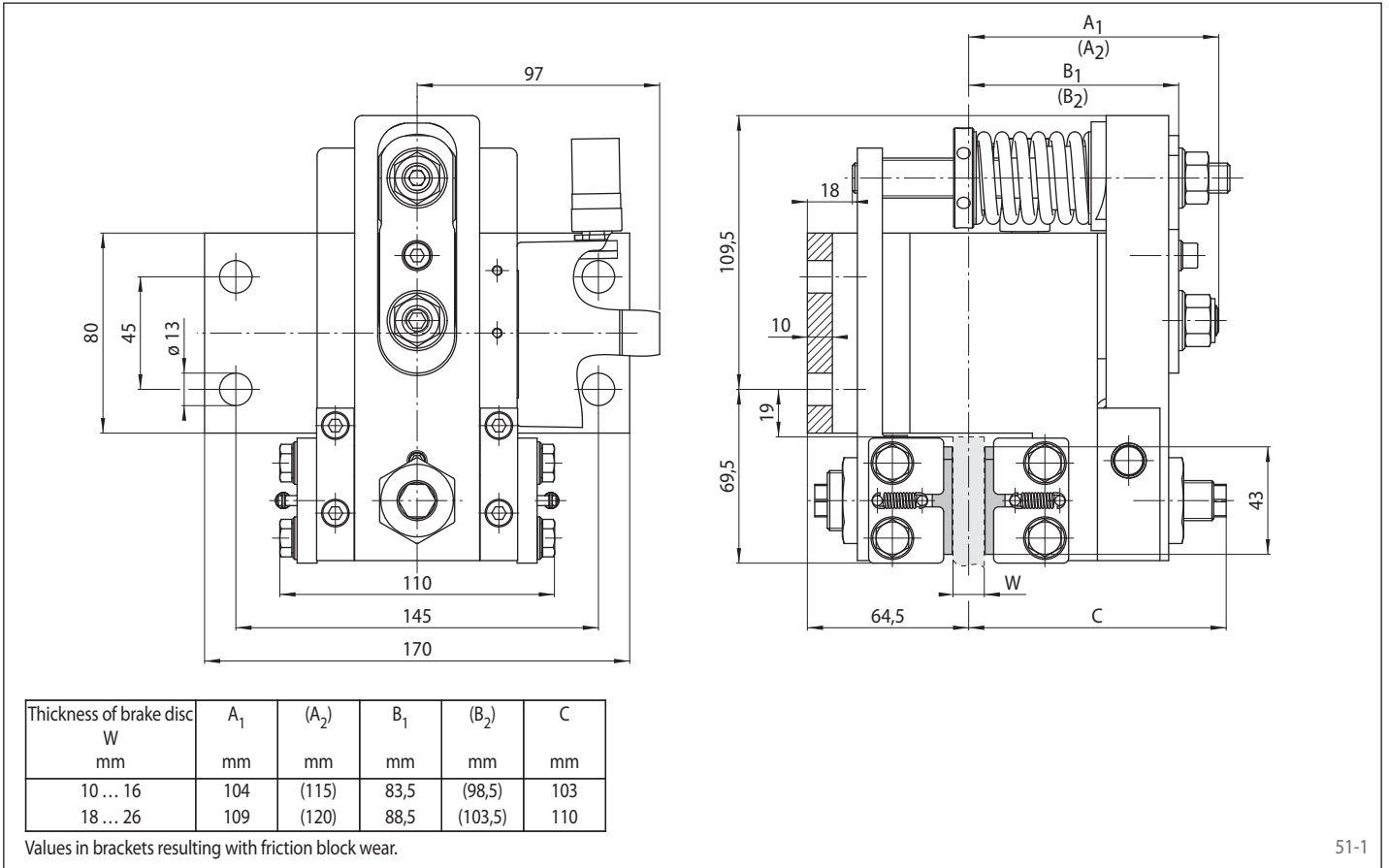
The braking torques shown in the table are based on a theoretical friction coefficient of 0,4.

\* Shorter actuation frequency on request

# Brake Calipers EV 024 FEM and EH 024 FEM

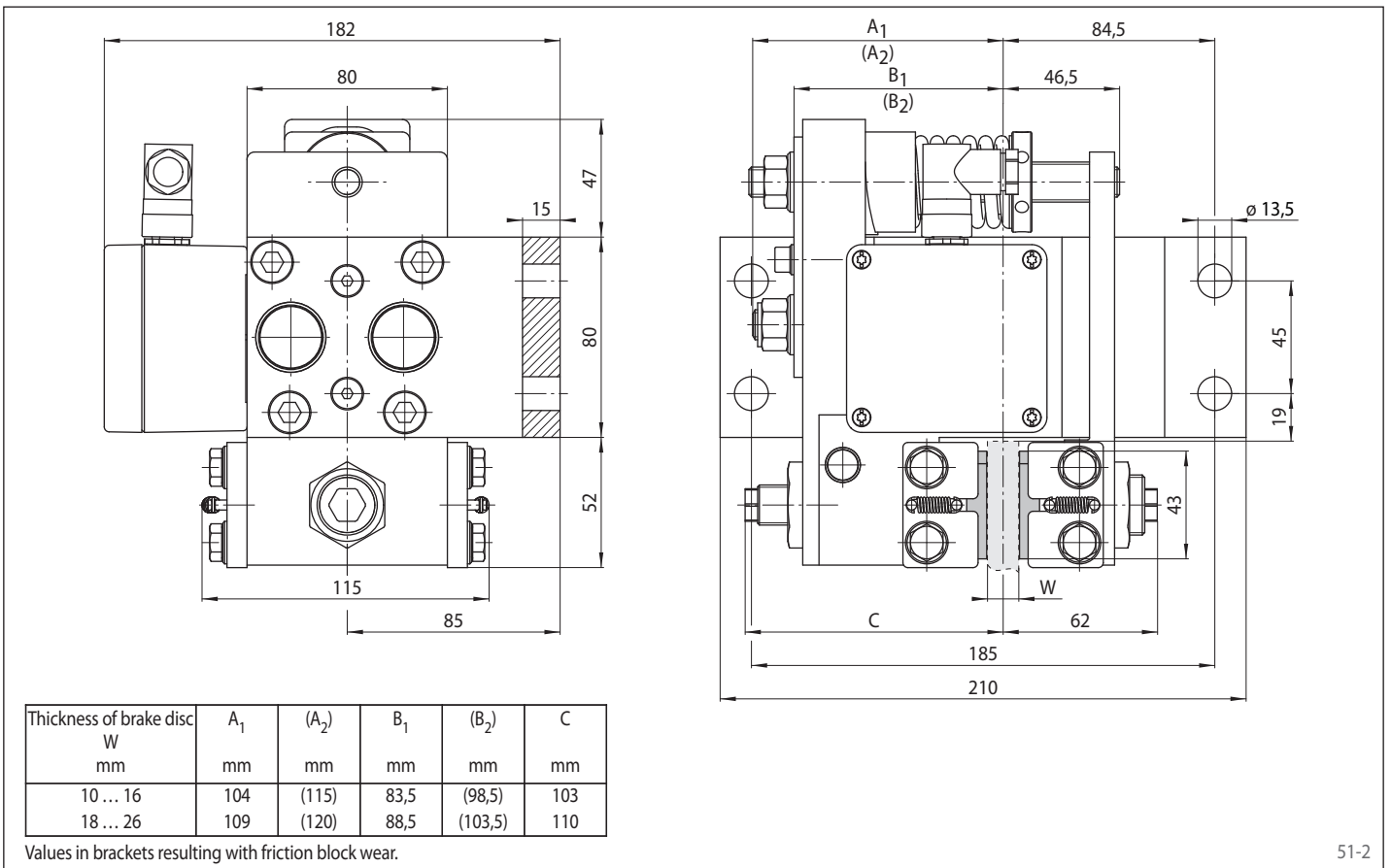
spring activated – electromagnetically released

## Brake Caliper EV 024 FEM



51-1

## Brake Caliper EH 024 FEM



51-2